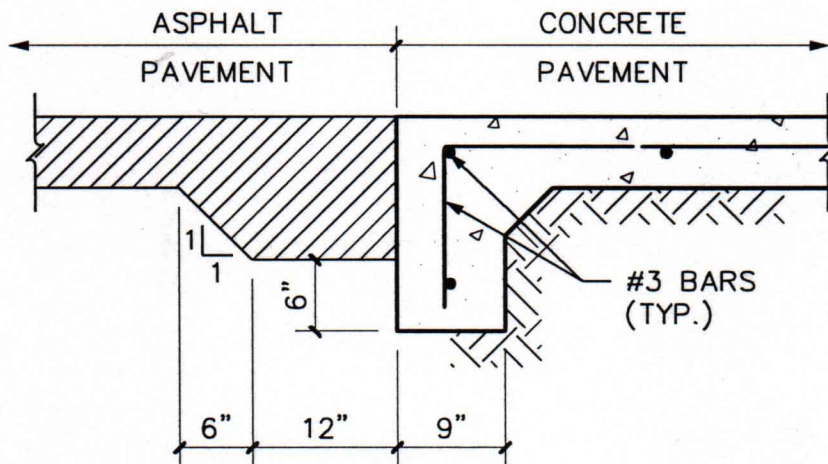


STREET HEADER FOR FUTURE PAVEMENT



ASPHALT TO CONCRETE HEADER

NOTES

1. PAVEMENT BARS TO BE BENT DOWN INTO HEADER.
2. HEADER AND PAVEMENT TO BE MONOLITHIC.



**CITY OF
DECATUR**

PAVING CONSTRUCTION DETAILS
STREET HEADER

REVISED MAR 2000

SCALE: 3/4" = 1'

SHEET: P-6