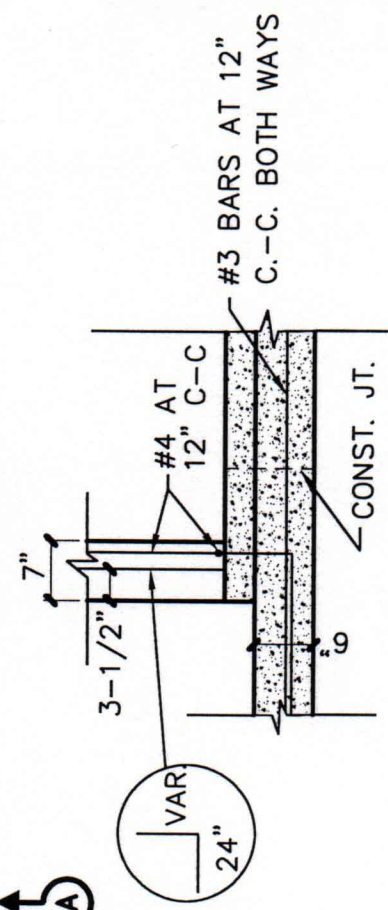
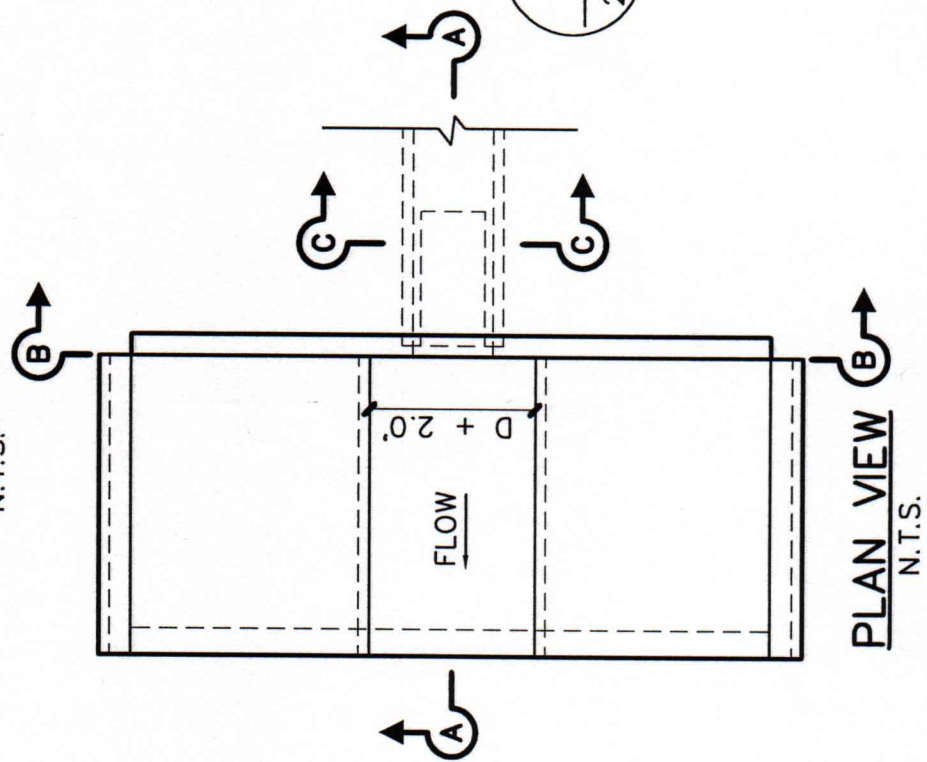


SECTION C-C
N.T.S.



DETAIL D
N.T.S.



**CITY OF
DECATUR**

**DRAINAGE SYSTEM CONSTRUCTION DETAILS
STORM SEWER VERTICAL HEADWALL**

REVISED MAR 2000
SCALE: N.T.S.
SHEET: **D-13**