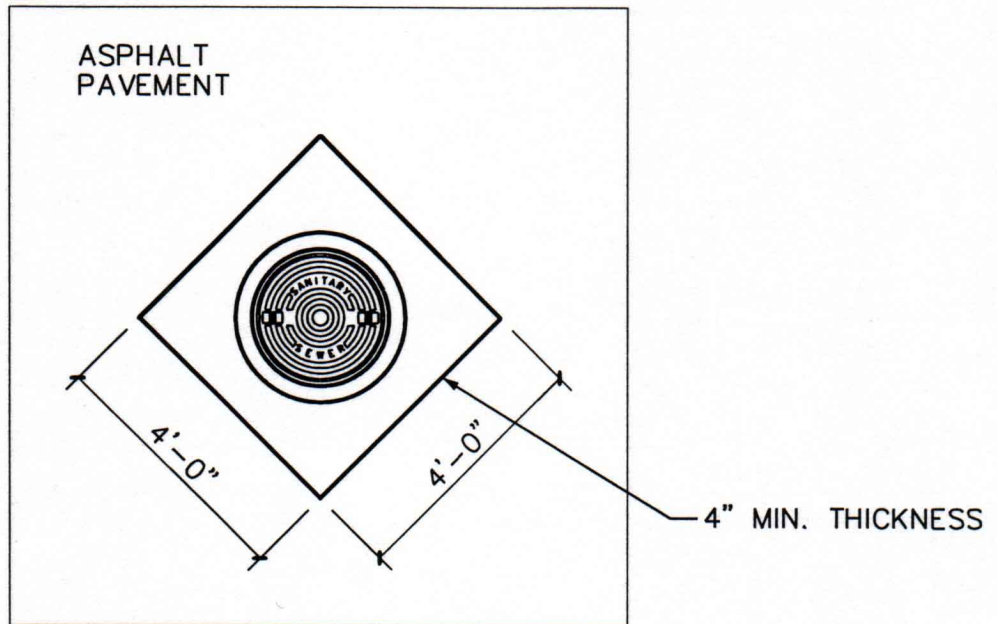
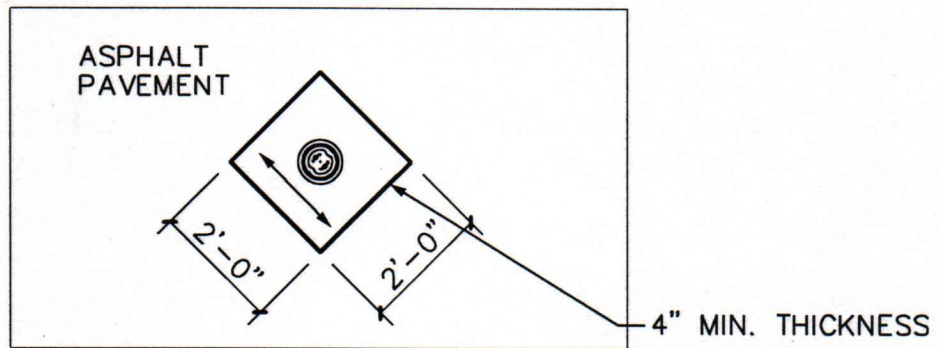


MANHOLE



WATER VALVE OR SEWER CLEANOUT



NOTES:

1. ALL ASPHALT PAVEMENT SHALL BE REMOVED ALONG NEAT SAW CUT LINES.
2. MANHOLE BOXOUT REQUIRED FOR ALL MANHOLES (STORM AND SANITARY) AND CLEANOUTS LOCATED IN THE STREET.
3. SEE SHEET P-3 FOR JOINT DETAILS.
4. SEE SHEET W-3 FOR WATER VALVE DETAIL.
5. SEE SHEET S-8 FOR SANITARY SEWER CLEANOUT DETAIL.



**CITY OF
DECATUR**

PAVING CONSTRUCTION DETAILS
MANHOLE AND WATER VALVE BOXOUT

REVISED MAR 2000

SCALE: 1" = 3'

SHEET: **P-10B**