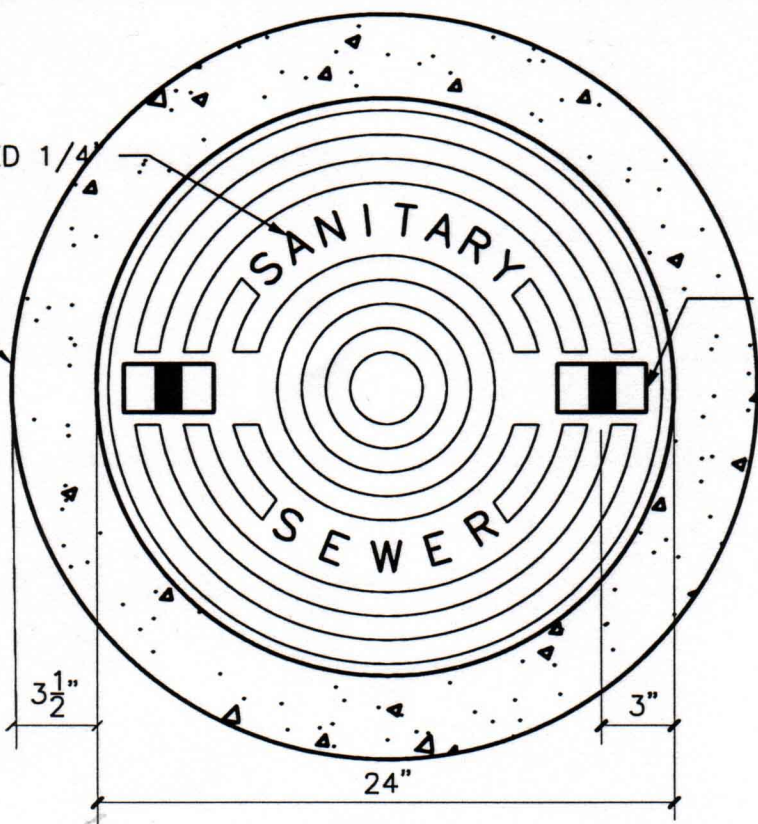


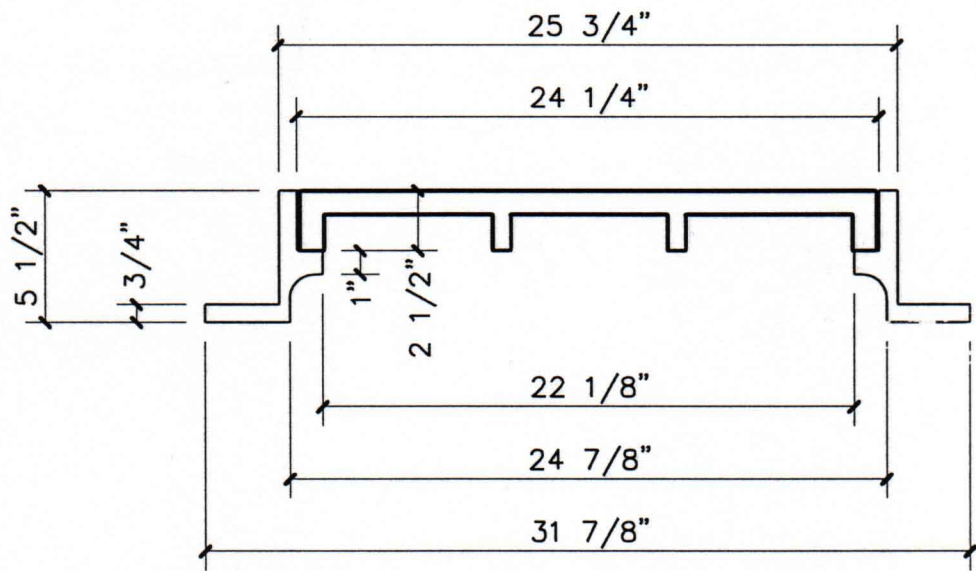
1" LETTERS RAISED 1/4"

CONCRETE RING

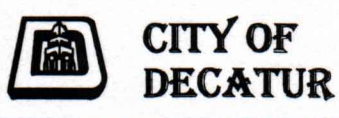
3 3/4" x 2" SLOTS
W/ 1" DIA. ROD
(TYP.)



COVER FACE



300 LB. X 24"
FRAME AND COVER



SEWER SYSTEM CONSTRUCTION DETAILS

MANHOLE FRAME AND COVER

REVISED MAR 2000

SCALE: 1 1/2" = 1'

SHEET: **S-5**