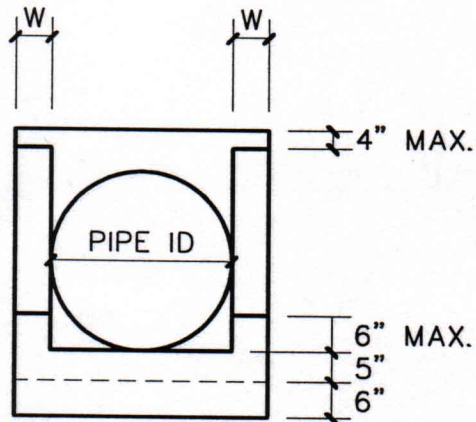


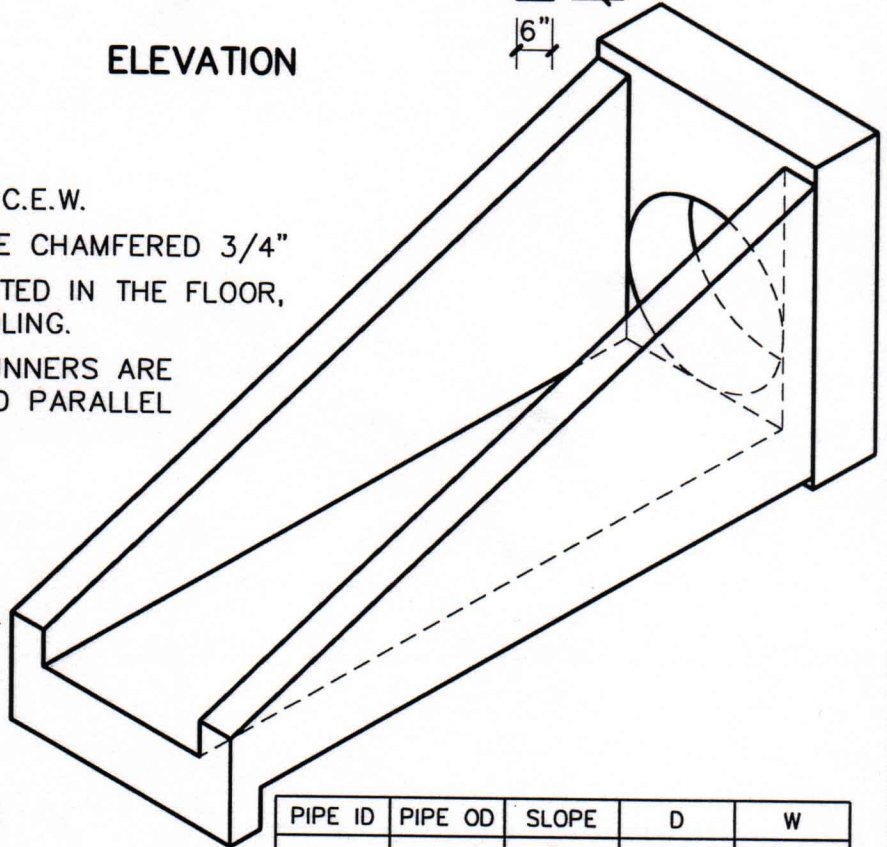
ELEVATION

NOTES:

1. 4500 PSI CONCRETE
2. #4 GRADE 60 REBAR 9" O.C.E.W.
3. ALL EXPOSED CORNERS ARE CHAMFERED 3/4"
4. SWIFT LIFT ANCHORS, LOCATED IN THE FLOOR, SHALL BE USED FOR HANDLING.
5. GALVANIZED STEEL PIPE RUNNERS ARE AVAILABLE FOR CROSS AND PARALLEL DRAINAGE APPLICATIONS.



FRONT ELEVATION



PIPE ID	PIPE OD	SLOPE	D	W
18"	23"	3:1	24"	5"
		4:1		
		6:1		
24"	30"	3:1	31"	5"
		4:1		
		6:1		

PIPE ID	PIPE OD	SLOPE	D	W
30"	37"	3:1	38"	6"
		4:1		
		6:1		
36"	44"	3:1	45-1/2"	6"
		4:1		
		6:1		
42"	51"	3:1	52-3/4"	8"
		4:1		
		6:1		
48"	58"	3:1	60"	8"
		4:1		
54"	65"	3:1	67"	8"



**CITY OF
DECATUR**

**DRAINAGE SYSTEM CONSTRUCTION DETAILS
STORM SEWER CULVERT
SAFETY END TREATMENTS**

REVISED MAR 2000

SCALE: 3/8" = 1'

SHEET: **D-14A**